

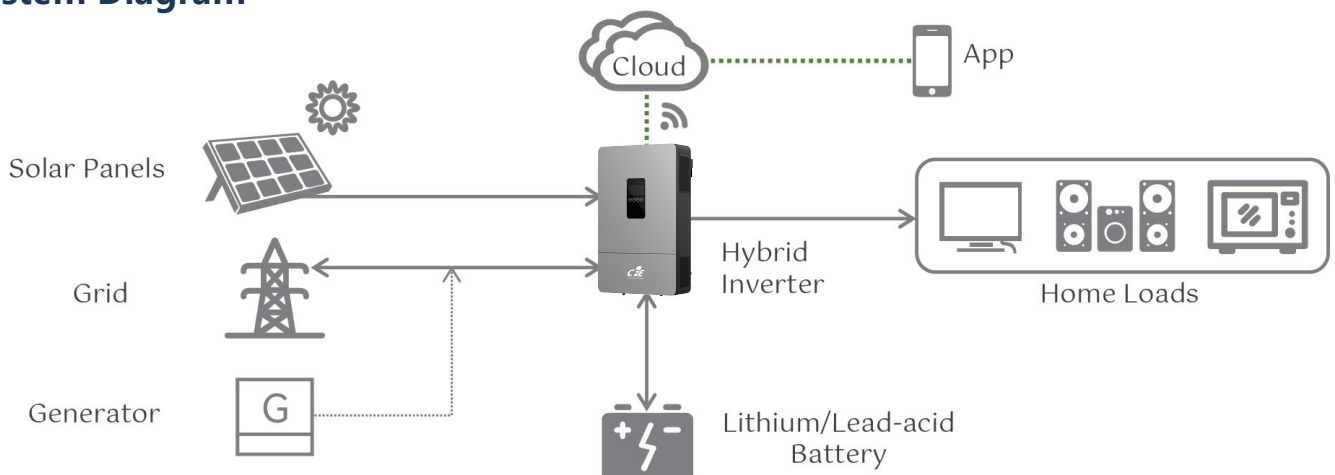
Single Phase Off-grid Inverter

CFE FN5000AB



- 9 Inverters in Parallel
- Built-in 80A Solar Charger
- Wide MPPT Range 120-500V
- Dual AC Output
- Support Lithium/Lead-acid Battery
- Feed-in to Grid
- Lithium Battery Activation
- Detachable Dust Cover
- WiFi Monitoring

System Diagram



Model		CFE FN5000AB
AC Input		
Rated Input Voltage (VAC)	208 / 220 / 230 / 240; L + N + PE	
Voltage Range (VAC)	90~280±3 (normal mode); 170~280±3 (UPS mode)	
Frequency (Hz)	50 / 60 (Auto Adaptive)	
AC Output		
Rated Capacity (kW)	5	
Peak Power (kVA)	10	
Voltage (VAC)	208 / 220 / 230 / 240	
Power Factor (PF)	1	
Frequency	50/60Hz±0.1%	
Switch Time (ms)	10 (normal mode) / 10 (UPS mode)	
Wave Form	Pure Sine Wave	
Overload Capacity (Battery Mode)	60s@102%~110% load; 10s@110%~130% load; 3s@130%~150% load; 0.2s@>150% load	
Max. Efficiency (Battery Mode)	93%@48VDC	
Parallel Quantity	9	
Charger (PV / AC)		
Solar Charger Type	MPPT	
Max PV Input Current / Input Power	18A / 6000W	
MPPT Range@Operating Voltage (VDC)	120~450	
Max PV Open Circuit Voltage (VDC)	500	
Max PV Charge Current (A)	80	
Max AC Charge Current (A)	80	
Max. Charge Current (PV + AC) (A)	80	
Battery		
Rated Voltage (VDC)	48	
Floating Charge Voltage (VDC)	54	
Overcharge Protection (VDC)	61	
Battery Type	Lithium and Lead-acid	
Interface		
HMI	LCD	
Interface	RS485 / RS232 / USB / Dry Contact	
Monitoring	WiFi (Optional)	
General Data		
Ingress Protection	IP20	
Operating Temperature	-10°C~ 50°C	
Relative Humidity	5% ~ 95% (Non-condensing)	
Storage Temperature	-15°C~ 60°C	
Net Weight (kg)	9	
Dimensions (W*H*D)	510*306*115mm (without bracket)	
Max. Operating Altitude	4000m (Derating above 1000m)	