

Cable brochure

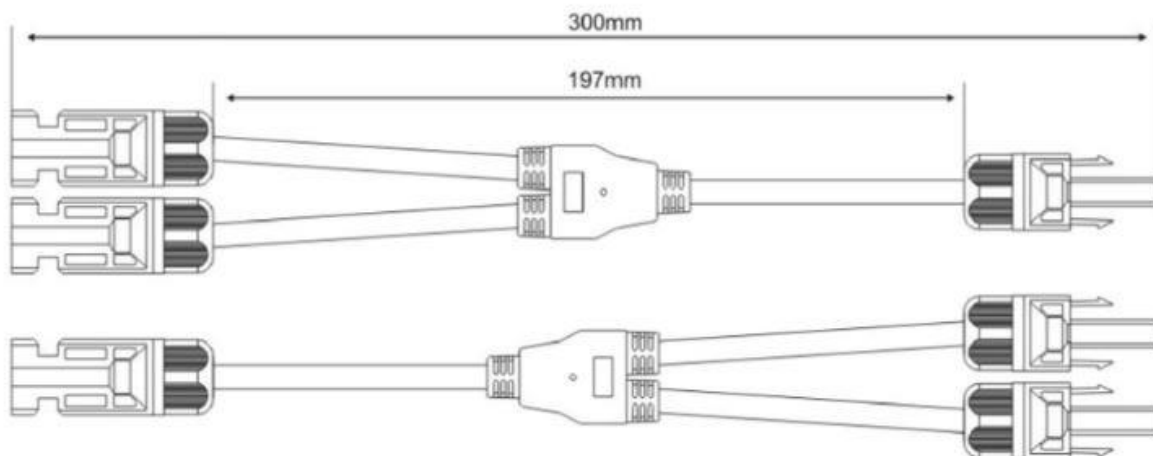
SOLAR CONNECTOR Y- TYPE 2-1



- IP65 Waterproof
- Simple on-site processing
- PPO high strength material
- High quality waterproof ring
- High current carrying capacity
- Ambient temperature -45°C+110°C
- Insulation material to prevent electric shock
- Mating safety provided by keyed housings

ELECTRICAL TECHNICAL REFERENCE

Rated current	30A
Rated voltage	1000VDC
Test voltage	6000V (50Hz, 1min)
Overvoltage category/Pollution degree	CATIII/2
Contact resistance of plug connectors	≤0.5mΩ
Contact material	Copper, Ag plated
Insulation material	PPO
Degree of protection	IP2*/IP65
Flame class	UL94-VO
Safety class	II
Suitable cable	2.5mm ² -6.0mm ²
Insertion Withdrawal force	≤50N
Cable length	8cm
Temperature range	-40°C-+110°C

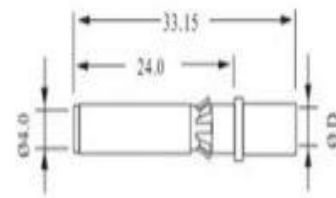
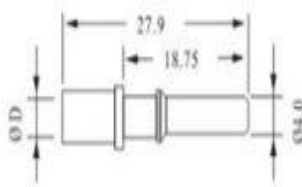
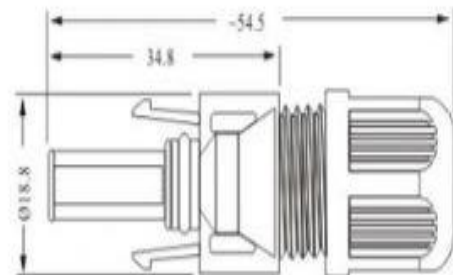
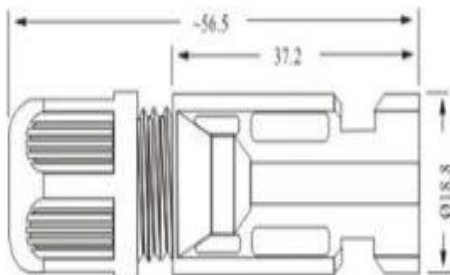


SOLAR CONNECTOR DC1000/1500V



- IP67 Waterproof
- Simple on-site processing
- PPO high strength material
- High quality waterproof ring
- High current carrying capacity
- Insulation material to prevent electric shock
- Mating safety provided by keyed housings

Rated current	30A (2.5-6mm ²)	30A (2.5-6mm ²)	35A	35A
Rated voltage	1000V DC			
Test voltage	6000V(50Hz,1min)			
Overvoltage category/Pollution degree	CATIII/2			
Contact resistance of plug connectors	1mΩ	1mΩ	≤5mΩ	≤5mΩ
Contact material	Copper,Ag plated			
Insulation material	PPO	PPO	PPO/PC	PPO/PC
Degree of protection	IP2*/IP67			
Flame class	UL94-VO			
Safety class	II			
Suitable cable	OD4.5-8.5(2.5-6.0mm ²)	2.5-6.0mm ²	2.5mm ² -6mm ² / 14AWG-10AWG	2.5mm ² -6mm ² / 14AWG-10AWG
Insertion force/Withdrawal force	≤50N/≥50N	≤50N/≥50N	≤50N	≤50N
Connecting System	Crimp connection			
Temperature range	-40°C~+125°C	-40°C~+125°C	-40°C~+85°C	-40°C~+85°C



SOLAR CONNECTOR Y-TYPE 3-1



- IP65 Waterproof
- Simple on-site processing
- PPO high strength material
- High quality waterproof ring
- High current carrying capacity
- Ambient temperature -45°C+110°C
- Insulation material to prevent electric shock
- Mating safety provided by keyed housings

Rated current	30A
Rated voltage	1000VDC
Test voltage	6000V (50Hz, 1min)
Overvoltage category/Pollution degree	CATIII/2
Contact resistance of plug connectors	≤1mΩ
Contact material	Copper, Ag plated
Insulation material	PPO
Degree of protection	IP2*/IP65
Flame class	UL94-VO
Safety class	II
Suitable cable	2.5mm ² -6.0mm ²
Insertion Withdrawal force	≥50N
Cable length	8cm
Temperature range	-40°C-+110°C

SOLAR CONNECTOR Y-TYPE 3-1

